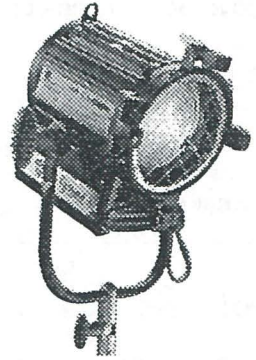


BAMBINO 1 kW

Quartz Halogen Fresnel

Preliminary data sheet

- ❑ Improved light quality and output, producing a flatter and more even field
- ❑ High quality, rugged, durable
- ❑ Corrosion resistant for longer life
- ❑ Compatibility of parts throughout the range
- ❑ A comprehensive range of accessories, interchangeable with existing Quartzcolor products
- ❑ Easy to service and maintain
- ❑ Bonding eyes and rigging hooks
- ❑ Front and back focusing on larger units
- ❑ New worm drive mechanism for precise focusing
- ❑ New easy running barndoors ears
- ❑ Scratch resistant black non-reflective housing
- ❑ CE mark, c UL us listed



Operational data

Safety:

25 x 25 mm wire mesh guard.

Accessory fitting:

Die cast aluminium ears.
Spring loaded top and lower catch for retention of accessories.

Tilt adjustment:

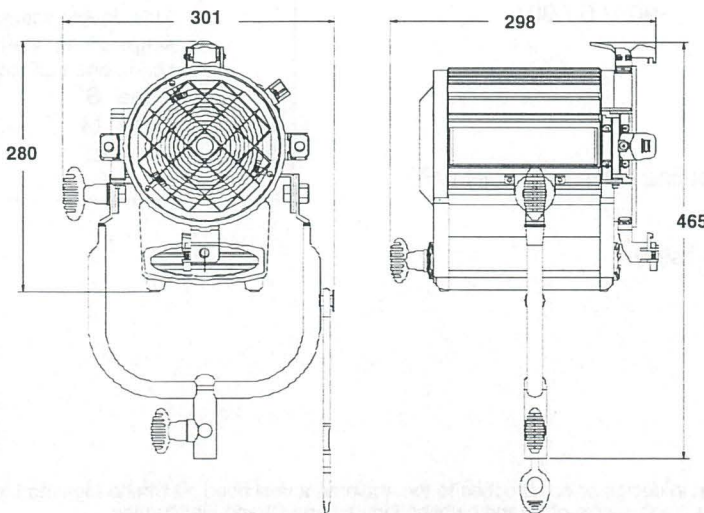
Pivot located at centre of gravity for excellent balance and positive locking.

Focus adjustment:

Rear focusing knob for smooth and precise action from spot to flood positions

Lamp access:

Hinged lens door allows easy access for lamp replacement.



Weights & dimensions

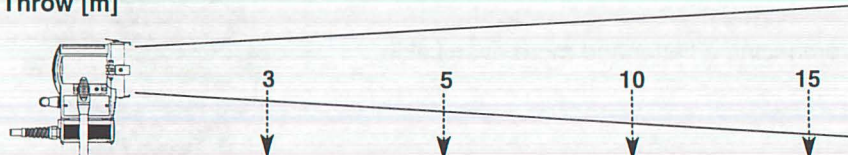
Lens diameter	130 mm	Weight (head + stirrup)	6.5 kg
Accessory diameter	200 mm	Packed weight	8.5 kg
Filter cut size	150x150 mm	Packed volume	450x370x400 mm



Photometric data

Typical performance based on CP 40 - 1000 W lamp:

Throw [m]



	Lux	φ [m]	Lux	φ [m]	Lux	φ [m]	Lux	φ [m]
SPOT (13°)	9,110	0.7	3,280	1.1	820	2.3	370	3.4
FLOOD (49.3°)	2,450	2.7	880	4.6	220	9.2	100	13.7

Lamp data

Lamp code	CP40 - 1000 W
LCL (mm)	63.5
Base	G22
Lumens	26000
Rated life hours (H)	250
Colour temp. (K)	3200

Mechanical data

- Paint / Finish:** Powder coated epoxy paint with special extra high temperature treatment in critical areas. External textured low gloss finish
- Lamp house** Die cast aluminium components, stainless steel housing
- Mounting:** Robust tubular steel stirrup with BS or standard DIN socket

Environmental Data

- Max operating ambient temperature:** 45°C
- IP Rating:** IP 20
- Tilt recommended angle of use:** -90° / 0 / 90°

Electrical data

Cable / Switching: 7 m 3 x 1.5 mm² with in-line 8 A / 250 V ON-OFF toggle switch

Standards compliance: CE mark, c UL us listed

Ordering information

Cat No Description

- 27640** Bambino 1 kW M.O. supplied with stirrup, colour frame, 4 leaf rotating barndoor
- 27643** as above + 230 V lamp
- 27644** as above + 240 V lamp

Optional Accessories

Cat. No Description

- 28849** Colour frame
- 28846** 4 leaf barndoor
- 28844** Scrim set (one double scrim, one single scrim, one half double scrim, one half single scrim)
- 28840** Cone S
- 28841** Cone M
- 28842** Cone L

The Company reserves the right to make any variation in design or construction to the equipment described. © Strand Lighting Ltd 1999. Strand™, Strand Lighting™, Strand Quartzcolor™ are trade marks of Strand Lighting Limited and Strand Lighting Inc.

Strand Lighting Ltd North Hyde House Hayes Rd Heston Middx UB2 5NL UK Tel: +44 (0)181 571 3588 Fax: +44 (0)181 571 3305
Strand Lighting GmbH Ullsteinstrasse 114-142 D-12109 Berlin Germany Tel: +49 (0) 30/70 79 51 0 Fax: +49 (0) 30/70 79 519 9
Strand Lighting Italia srl Via delle Gardenie 33 00040 Pomezia-Roma Italy Tel: +39 06 91963.1 Fax: +39 06 9147136
Strand Lighting Asia Ltd 7/F Corporation Square 8 Lam Lok Street Kowloon Bay Hong Kong Tel: +852 2757 3033 Fax: +852 2757 1767

LONDON - BERLIN - ROME - PARIS - MOSCOW - LOS ANGELES - NEW YORK - TORONTO - HONG KONG